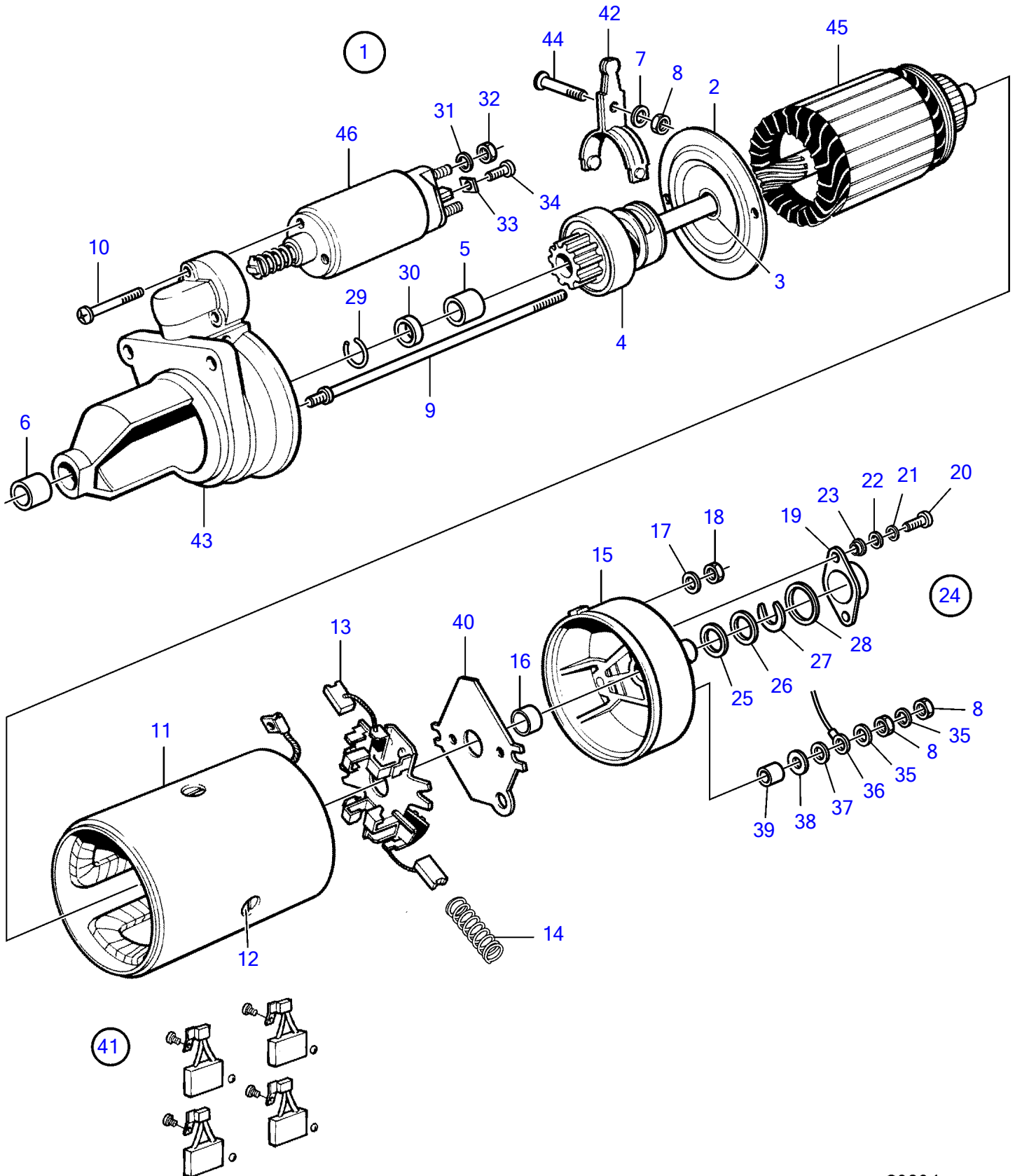


AD31L-A, AD31P-A, AD41L-A, AD41P-A, D41L-A, TAMD31L-A, TAMD31M-A, TAMD31P-A, TAMD31S-A, TAMD41H-A, TAMD41H-B, TAMD41P-A, TAMD41L-A, TAMD41M-A, TMD31L-A, TMD41L-A



23094

AD31L-A, AD31P-A, AD41L-A, AD41P-A, D41L-A, TAMD31L-A, TAMD31M-A, TAMD31P-A, TAMD31S-A, TAMD41H-A, TAMD41H-B, TAMD41P-A, TAMD41L-A, TAMD41M-A, TMD31L-A, TMD41L-A

| REF | PART NO. | QTY | DESCRIPTION | SEE SEC. | NOTES |
|-----|-----------|-----|------------------------|----------|---------------|
| 1 | 838987 | 1 | Starter motor | | 24V |
| 2 | (6210770) | 1 | • Bearing shield | | Obsolete part |
| 3 | 6644949 | 1 | • • Bearing bushing | | |
| 4 | 1696543 | 1 | • Starter pinion | | |
| 5 | 6210772 | 1 | • • Bearing bushing | | |
| 6 | 48109 | 1 | • Bearing bushing | | |
| 7 | 941907 | 1 | • Spring washer | | |
| 8 | 947941 | 3 | • Hexagon nut | | |
| 9 | (6210774) | 2 | • Screw | | Obsolete part |
| 10 | (1696544) | 3 | • Screw | | Obsolete part |
| 11 | (6210775) | 1 | • Field winding | | Obsolete part |
| 12 | 6211936 | 4 | • Screw | | |
| 13 | 858686 | 1 | • Brush retainer | | |
| 14 | 6211874 | 4 | • Spring | | |
| 15 | (858687) | 1 | • Bearing shield | | Obsolete part |
| 16 | 6210777 | 1 | • • Bearing bushing | | |
| 17 | (86287) | 2 | • Washer | | Obsolete part |
| 18 | 955781 | 2 | • Hexagon nut | | |
| 19 | (858688) | 1 | • Cover | | Obsolete part |
| 20 | 969407 | 2 | • 6 point socket screw | | |
| 21 | 941905 | 2 | • Spring washer | | |
| 22 | (858696) | 2 | • Washer | | Obsolete part |
| 23 | (858695) | 2 | • Bushing | | Obsolete part |
| 24 | 829707 | 1 | • Small parts kit | | |
| 25 | | 1 | • • Spacer | | |
| 26 | | 1 | • • Spacer | | |
| 27 | | 1 | • • Lock washer | | |
| 28 | | 1 | • • Gasket | | |
| 29 | | 1 | • • Lock ring | | |
| 30 | | 1 | • • Washer | | |
| 31 | | 2 | • Washer | | |
| 32 | 971080 | 2 | • Hexagon nut | | |
| 33 | (858689) | 1 | • Clamping brace | | Obsolete part |
| 34 | 956058 | 1 | • Cross recessed screw | | |
| 35 | 941907 | 2 | • Spring washer | | |
| 36 | | X | • electrical materials | 1963 | |
| 37 | 955894 | 1 | • Washer | | |
| 38 | (858693) | 1 | • Insulating sheet | | Obsolete part |
| 39 | (858692) | 1 | • Bushing | | Obsolete part |
| 40 | (858691) | 1 | • Isolation plate | | Obsolete part |
| 41 | 6210778 | 1 | • Brush set | | |
| 42 | (1696545) | 1 | • Engagement lever | | Obsolete part |
| 43 | (1696578) | 1 | • Bearing shield | | Obsolete part |
| 44 | 6210773 | 1 | • Screw | | |
| 45 | 6210769 | 1 | • Anchor | | |
| 46 | 858697 | 1 | • Solenoid | | |